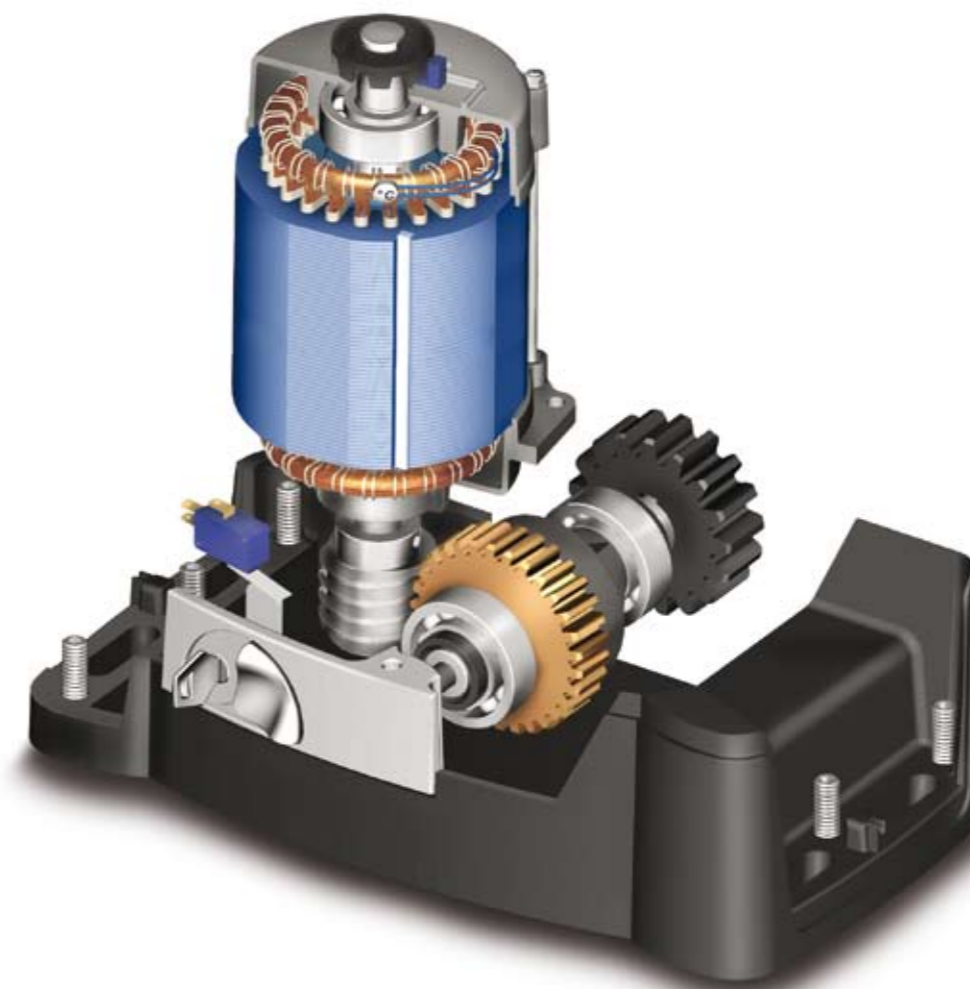




“G30 style Roger Technology  
conceived with logic”



## STURDY AND POWERFUL FOR LARGES APERTURES

Electro-mechanical reduction gear available in 4 versions, for sliding gates up to 1800, 2200 kg. The main structure is in die-cast aluminium, stove-enamelled with specific epoxy resins for outdoors.

### RANGE G30 VERSIONS

<b>G30/1803</b>	230V • with built-in control unit • gate stop
<b>G30/1804</b>	230V • with built-in control unit • magnetic gate stop
<b>G30/2203</b>	230V • with built-in control unit • gate stop
<b>G30/2204</b>	230V • with built-in control unit • magnetic gate stop



#### ALL-ROUND PROTECTION

Electric motor protected by a sensitive safety thermostat.



#### SURE RELEASE

The solid die-cast aluminium release handle with customized key allows release and manual movement of the gate at all time.



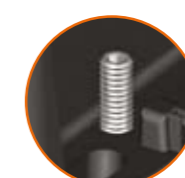
#### EVERYTHING IN PLACE

2 seals ensure perfect tightness with regard to the grease inside the reduction gear and at the same time keep water out.



#### BRONZE AND STEEL FOR PERFECT MATING

Bronze crown gear and steel worm screw with precision finishing and hardening of the thread to ensure perfect, low-noise and durable mating.



#### PRECISE FIXING

6 points for meticulous levelling to obtain best support.



#### PRECISELY CENTRED

All the housing of the bearings and the motor assembly are turned and ensure long-lasting constant, perfect and silent rotation.



#### CONTROL AND SAFETY

Optical encoder for constant control of gate movement.

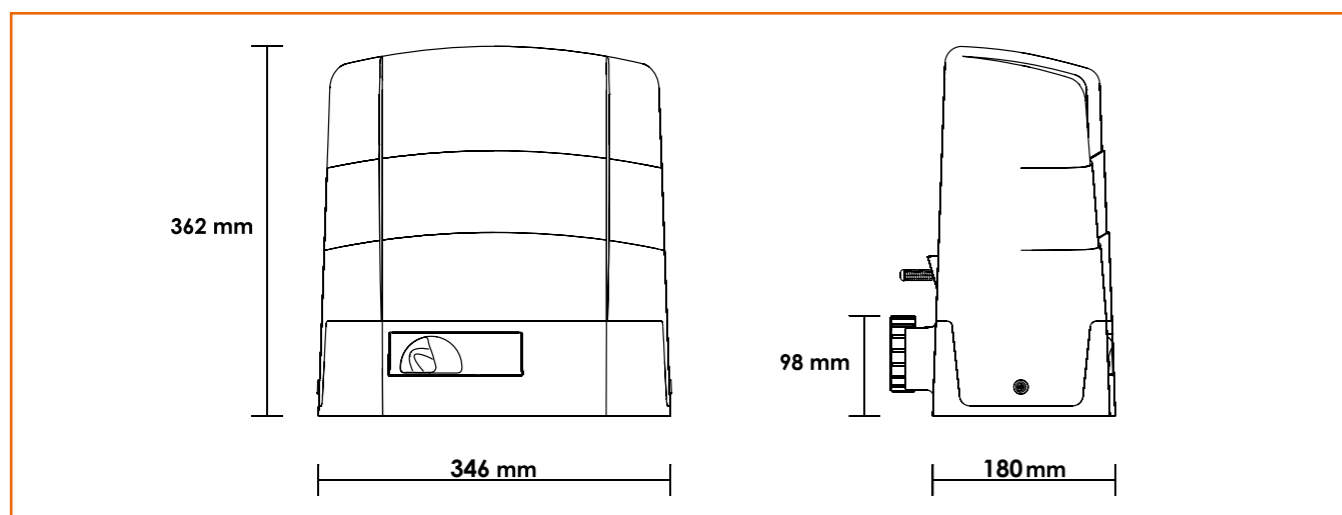
## G30

**G30/1803**  
**G30/1804**

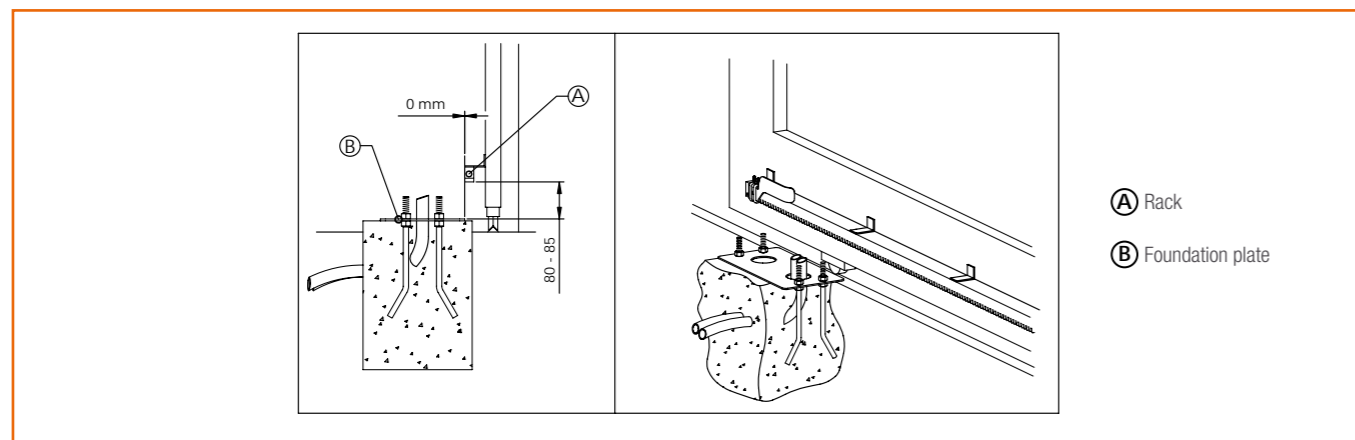
**G30/2203**  
**G30/2204**

POWER SUPPLY	V	230	230		
RATING	W	520	580		
THRUST	N	1200	1500		
DUTY CYCLE	%	50	50		
MOTOR OVERLOAD CUTOUT	°C	150	150		
WORKING TEMPERATURE	°C	-20+70	-20+70		
SPEED OF MOVEMENT	m/min	9,5	9,5		
MAX GATE WEIGHT	Kg	1800	2200		

## dimensions



## set up for standard installations



## accessories

<b>GA550</b> galvanised steel rack 22x22x1000 module 4	<b>GA551</b> galvanised steel rack 30x12x1000 module 4 complete with spacers and screws	<b>GA552</b> nylon rack module 4 with 4 connectors L 1000	<b>GA553</b> nylon rack module 4 with 6 connectors L 1000
<b>MC751</b> gate stop for control unit R70/1AC	<b>MC752</b> gate stop kit for control unit R70/1AC	<b>MC753</b> magnetic gate stop for control unit R70/1AC	<b>MC754</b> magnetic gate stop kit for control unit R70/1AC
<b>MC762</b> gate stop for control unit H70/100AC	<b>MC763</b> gate stop kit for control unit H70/100AC	<b>MC764</b> magnetic gate stop for control unit H70/100AC	<b>MC765</b> magnetic gate stop kit for control unit H70/100AC
<b>MC772</b> gate stop for control unit H70/101AC	<b>MC773</b> gate stop kit for control unit H70/101AC	<b>MC774</b> magnetic gate stop for control unit H70/101AC	<b>MC775</b> magnetic gate stop kit for control unit H70/101AC
<b>MC771</b> safety micro for control unit H70/101AC	<b>KT215</b> fixing plate complete with stay bolts and screws for G30	<b>KT222</b> fixing plate raised with stay bolts and screws for G30	