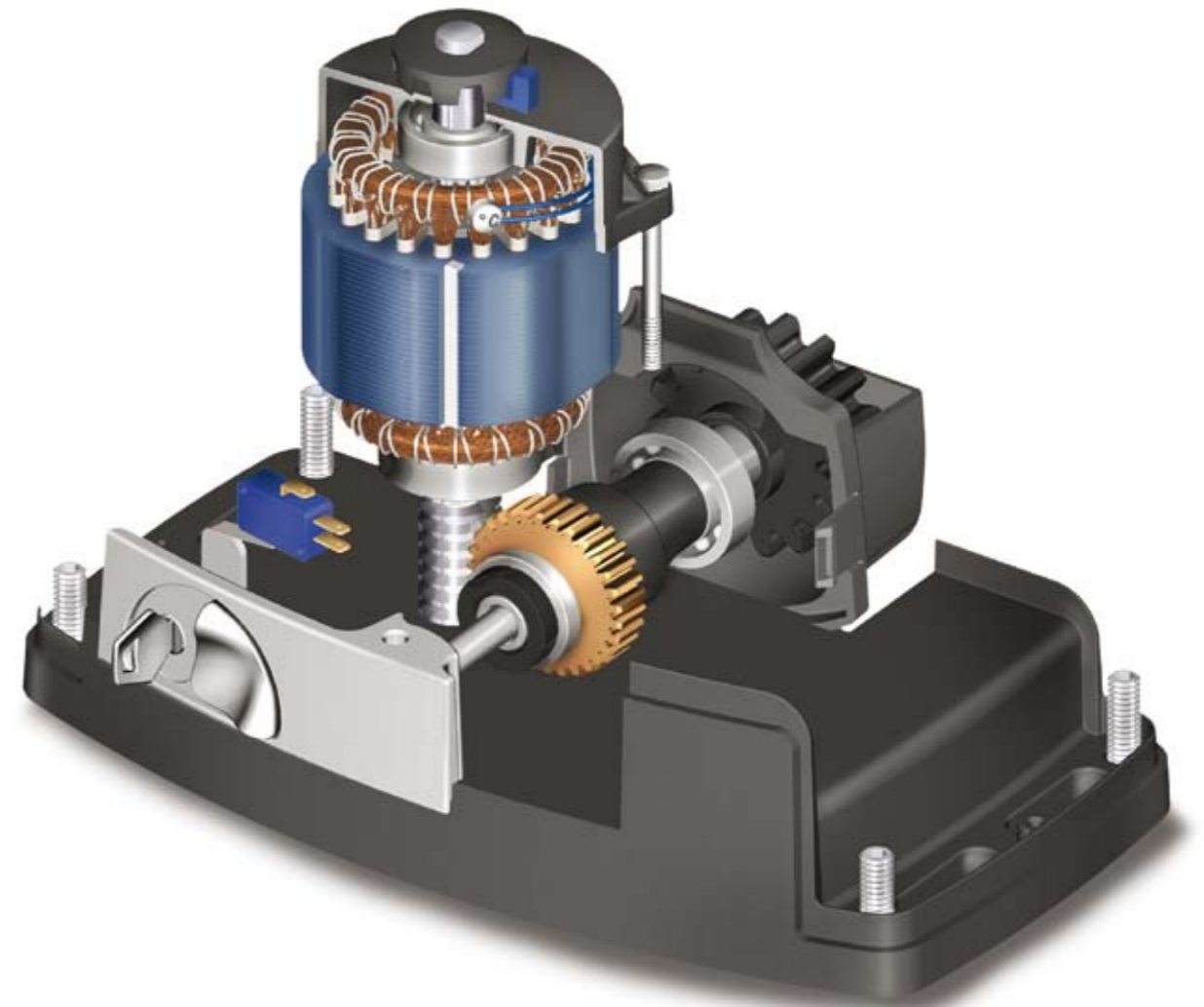




“H30 style Roger Technology
conceived with logic”



SPECIAL PERFORMANCE

Electro-mechanical reduction gear available in 5 versions, for sliding gates up to 400, 600 kg. The main structure is in die-cast aluminium, stove-enamelled with specific epoxy resins for outdoors.

RANGE H30 VERSIONS

H30/423	230V • with built-in control unit • gate stop
H30/424	230V • with built-in control unit • magnetic gate stop
H30/603	230V • with built-in control unit • gate stop
H30/604	230V • with built-in control unit • magnetic gate stop
H30/623	24V • with built-in control unit • gate stop



SURE RELEASE
The solid die-cast aluminium release handle with customized key allows release and manual movement of the gate at all time.



SMOOTH MOVEMENT
Worm screw in special steel with precision finish and hardening of the thread.



EVERYTHING IN PLACE
2 seals ensure perfect tightness with regard to the grease inside the reduction gear and at the same time keep water out.



BRONZE AND STEEL FOR PERFECT MATING
Bronze crown gear and steel worm screw with precision finishing and hardening of the thread to ensure perfect, low-noise and durable mating.



SOLID AND RELIABLE
The main structure is in die-cast aluminium.



TOTAL PROTECTION
Outgoing gear fully protected by an affective plastic shell.



1400 PERFECT AND SILENT REVS FOR MINUTE
2 special precision bearings for electric motors.

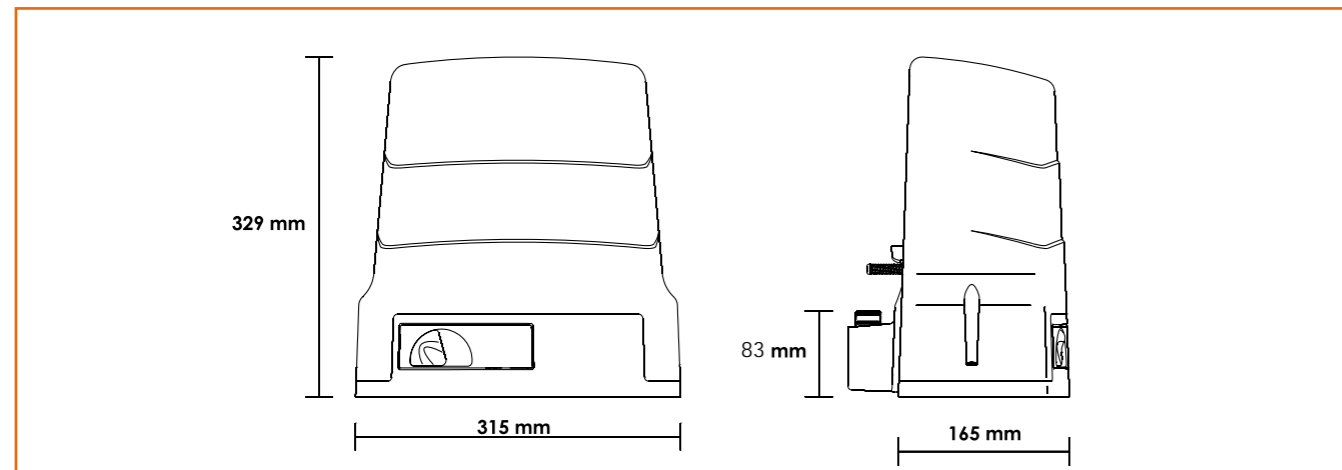
H30

H30/423
H30/424

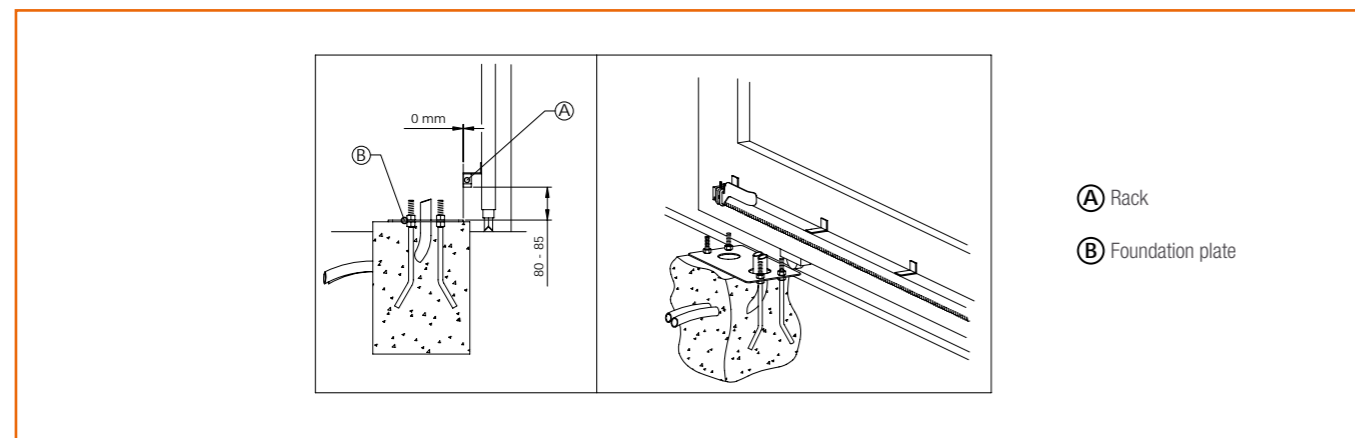
H30/603
H30/604

POWER SUPPLY	V	230	230		
RATING	W	210	260		
THRUST	N	250	320		
DUTY CYCLE	%	50	50		
MOTOR OVERLOAD CUTOUT	°C	150	150		
WORKING TEMPERATURE	°C	-20+70	-20+70		
SPEED OF MOVEMENT	m/min	9,5	9,5		
MAX GATE WEIGHT	Kg	400	600		

dimensions



set up for standard installations



accessories

GA550 galvanised steel rack 22x22x1000 module 4	GA551 galvanised steel rack 30x12x1000 module 4 complete with spacers and screws	GA552 nylon rack module 4 with 4 connectors L 1000	GA553 nylon rack module 4 with 6 connectors L 1000
MC751 gate stop for control unit R70/1AC	MC752 gate stop kit for control unit R70/1AC	MC753 magnetic gate stop for control unit R70/1AC	MC754 magnetic gate stop kit for control unit R70/1AC
MC762 gate stop for control unit H70/100AC	MC763 gate stop kit for control unit H70/100AC	MC764 magnetic gate stop for control unit H70/100AC	MC765 magnetic gate stop kit for control unit H70/100AC
MC772 gate stop for control unit H70/101AC	MC773 gate stop kit for control unit H70/101AC	MC774 magnetic gate stop for control unit H70/101AC	MC775 magnetic gate stop kit for control unit H70/101AC
MC771 safety micro for control unit H70/101AC	KT214 fixing plate complete with stay bolts and screws for H30	KT221 raised fixing plate with stay bolts and screws for H30	